

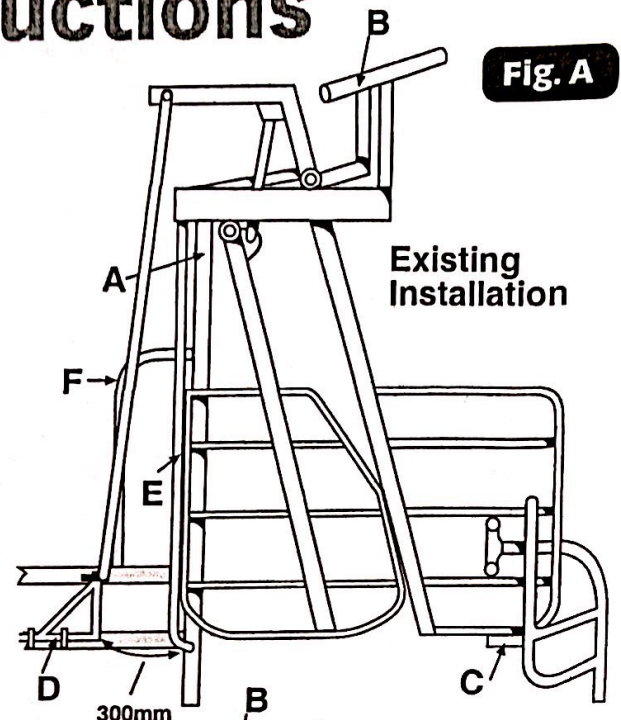


ezi-flo Pitgates

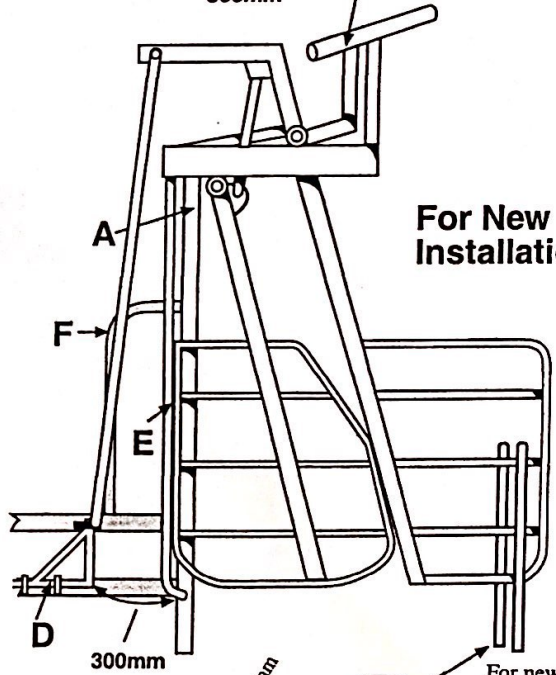
Fitting Instructions

- 1 Cut 40mm post A at the front of the pit to 1.750mm off the concrete.
- 2 Fit 25mm temporary space (timber) between support post A and gate. Position gate against spacer and level top frame.
- 3 The angle of the gates is the same as the cup centres plus 200mm as on Fig B.
- 4 Weld gate to support post A and the back of the frame to the roof supports B (ie. 50mm pipe between roof beams).
- 5 Weld stopper under gate at C.
- 6 Place handles over the centre of spacers provided in such a position that cows rumps cannot open the gates.
Pipe not provided in kitset.
- 7 Attach locking mechanism to breach rail. Position with gates in shut position, cut and fit 12mm rod with the rod ends to length. Weld and adjust locking mechanism D in closed position, finishes 10mm over vertical and will require adjustment at a later date when gate becomes loose on stopper C.
- 8 Guard pipe E is pre-cut to length weld to front of post A.
- 9 Guard pipe F to be welded in front of post A to stop rumps from opening gates.

Fig. A

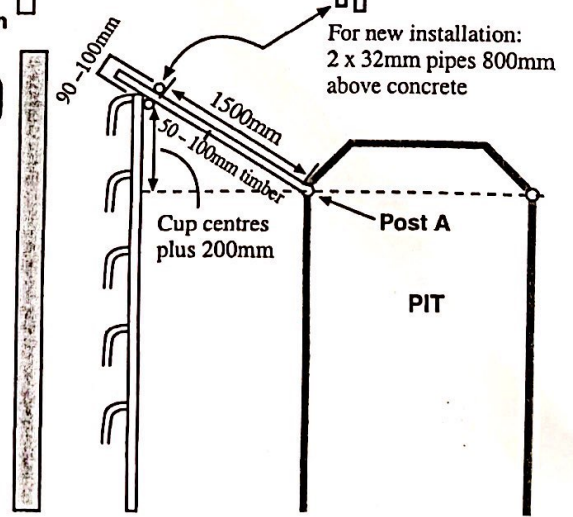


Existing Installation



For New Installation

Fig. B



WAIKATO DAIRY BUILDERS
0800 2 COWSHED
 0800 2269 7433
 Website: www.dairybuilders.co.nz